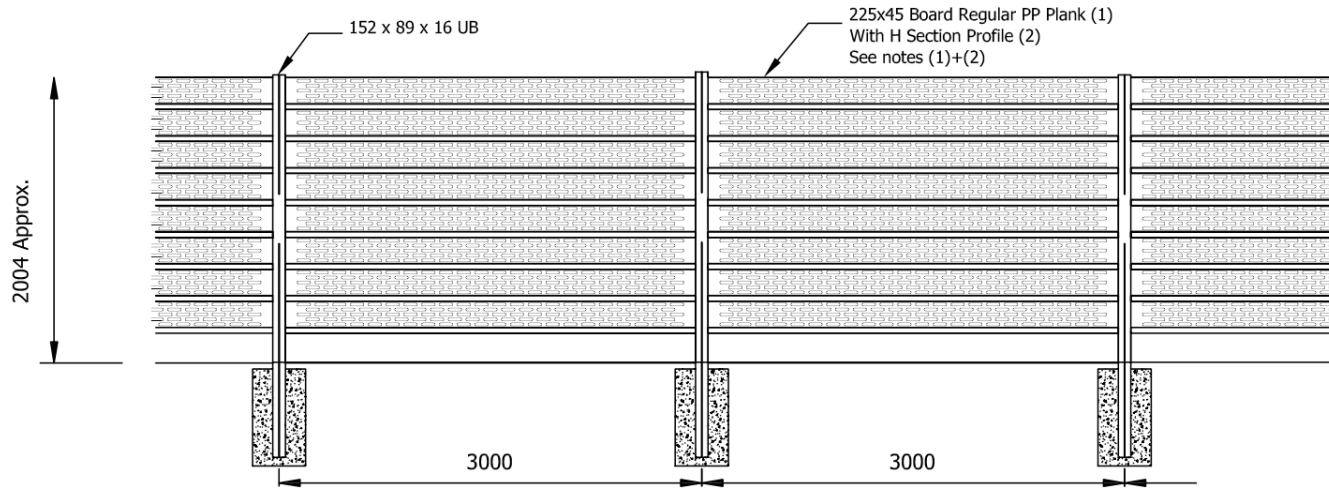
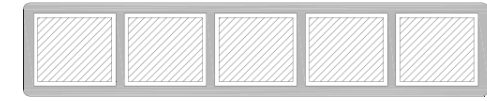
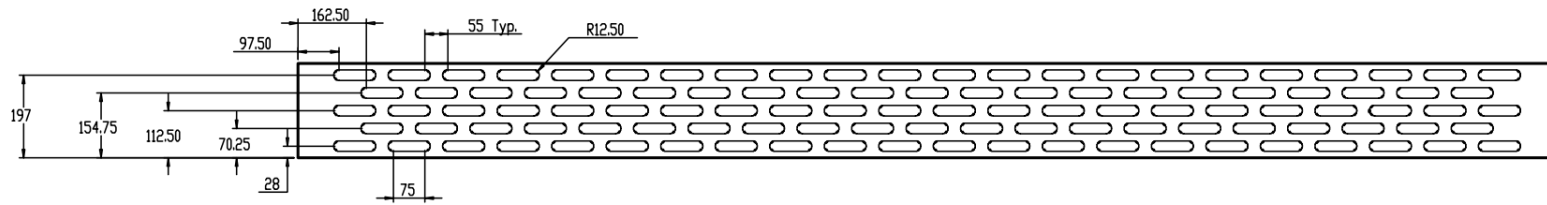
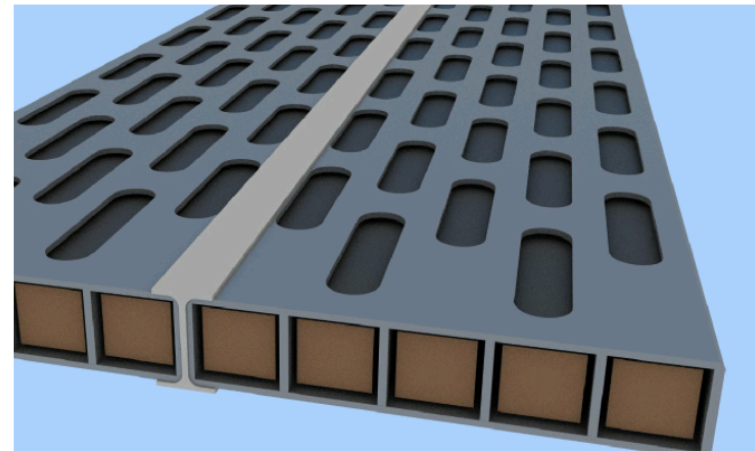
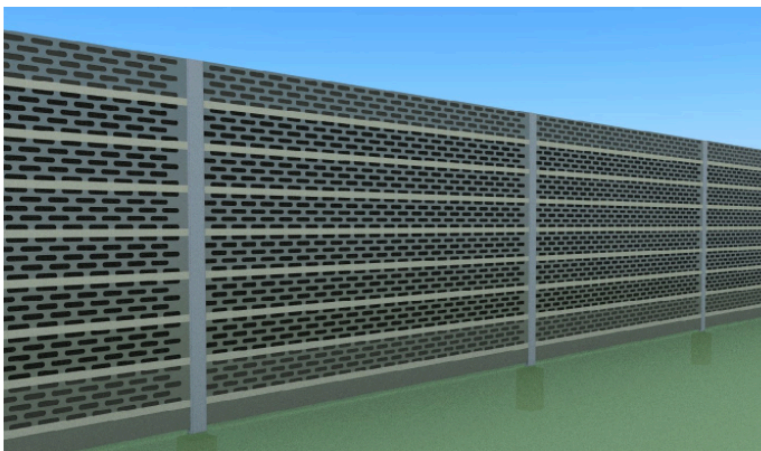
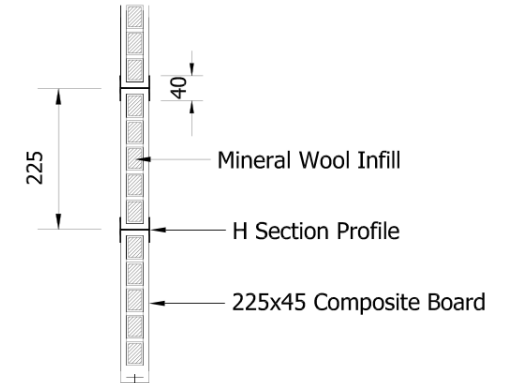
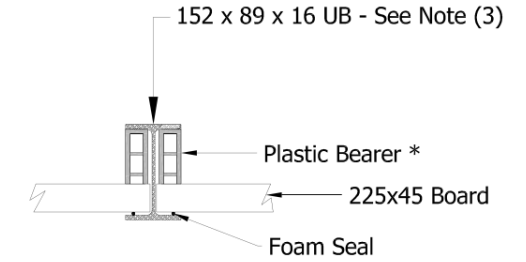


* Dimension to suit final post dimensions



TYPICAL PART ELEVATION



wallbank
Fencing Limited